

borg &
overström



Distinctive
by design.

U1

borg&
overström

High capacity, counter-top convenience

With its sleek tap and compact, high capacity S2 under-counter unit, the U1 epitomises design-led innovation. Contemporary and discreet, this electronic tap will enhance any environment.

Reasons to choose

- High capacity output
- Low energy consumption
- Compact under-counter unit
- Elegant, minimalistic design
- Discreet, hygienic control panel
- Simple-fit ventilation base included with S2



Distinctive
by design.

Water system



Direct Chill

Configuration



Undercounter

Water options



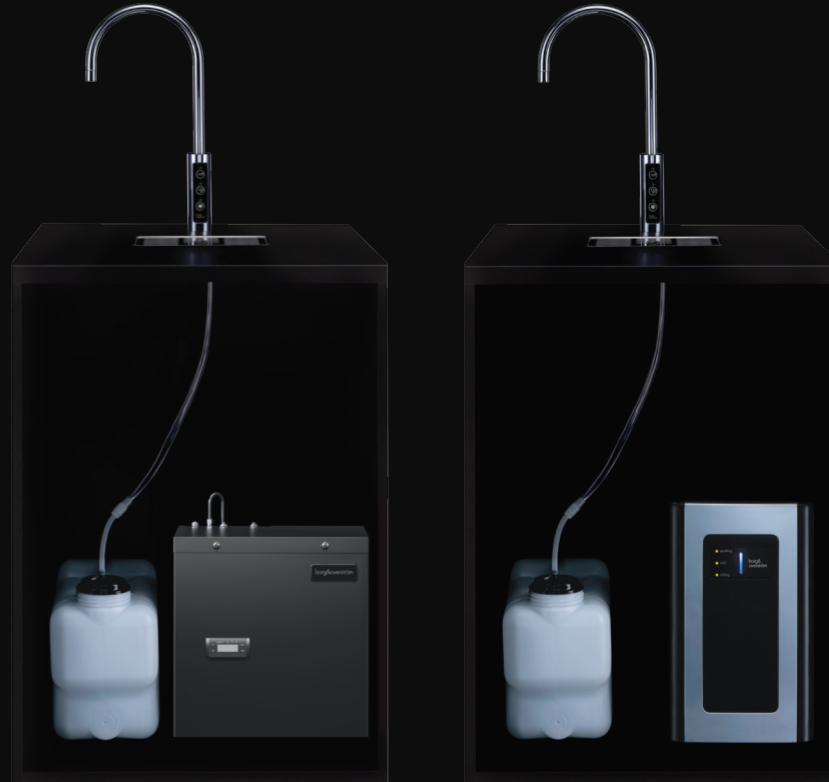
Chilled



Ambient



Sparkling



Distinctive
by design.

Catering for capacity

The U1 boasts a compact yet high capacity under-counter appliance. It delivers a speedy throughput of 80 litres per hour at a consistent chilled temperature, making it the perfect solution for busy environments including Horeca applications.

Borg & Overström Totality®



Driven by a relentless pursuit of excellence, Borg & Overström Totality® is a research and development methodology for the advancement of hygiene, innovation and technology in refreshment systems.



Ultra-violet sterilising system
For added hygiene confidence, appliances can be fitted with Viovand™ – an ultra-violet sterilisation process that reduces water-borne bacteria.



**Laboratory certified
99.999% bacteria-reduced**
Every Borg & Overström appliance undergoes an anti-microbial, antipathogen, sanitising procedure. The reassurance of hygienically safe appliances is provided by the unique bacteria-reducing process, Sterizen™.



World-class filtration
For the ultimate drinking experience, Borg & Overström appliances can be pre-fitted with a 3M filter to reduce sediment, chlorine, odours and scale.

Distinctive
by design.

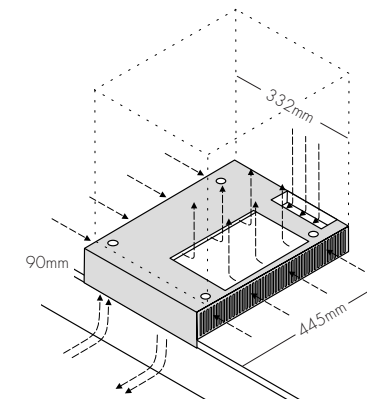
U1 models

Power requirements
Hertz 50/Volts 230

Chilled temperature
Min 2°C/Max 11°C

Throughput litres per hour
S1 Chilled 20/Sparkling 16
S2 Chilled 80/Sparkling 80

Undercounter - S1 W230xD370xH390mm	Water system	Dispense height	Tap height	Max power consumption	Stainless Steel
Chilled & Ambient	Direct Chill	260mm	414mm	80W	601142
Chilled, Ambient & Sparkling	Direct Chill	260mm	414mm	100W	601162
Undercounter - S2 W330xD370xH362mm	Water system	Dispense height	Tap height	Max power consumption	Stainless Steel
Chilled & Ambient	Dry Chill®	260mm	414mm	570W	601501
Chilled, Ambient & Sparkling	Dry Chill®	260mm	414mm	570W	601502



Simple-fit Ventilation Base

A refined and simple-to-install ventilation kit is included with the S2 system.

Distinctive
by design.

Additions for U1



Biodegradable paper cups
Environmentally-friendly disposable cups designed to fit Borg & Overström cup dispensers perfectly.



Personal drinking bottles
500ml capacity in black or grey frosted soft-touch finish. Comes with quick-release leak-proof cap and carry strap.



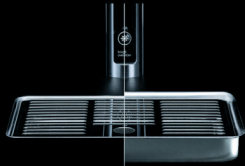
500ml glass bottles
Suitable for dishwashers and bottlewashers. Perfect fit for the U1 tap. Stylish swing-top lid.



Deep Sparkle® CO² refills
Can be disposed via standard steel recycling or general waste. Requires CO² regulator with gauge.



Sanitisation kit
Six monthly sanitising cycles ensure appliances function at the optimum hygiene levels.



Optional drip trays
There is a range of integrated or freestanding stainless steel drip trays.



Waste kit overflow sensor
Featuring an audible high-water level alarm to prevent the waste tank from overflowing.



Install kit with 3M filter
Install appliances simply and effectively in a wide range of applications. Complete with a 3M filter.



Ultra-violet filter kit
Complete Viovand™ filter kit to assist in water purification and removal of unwanted micro-organisms.



Mains waste kit
Mains waste kit connects the drip tray to the waste.

Distinctive
by design.

borg&
overström

Book a visit to the Borg & Overström Academy
for a personal demonstration of the U1

Talk to an adviser
+44 (0) 1362 695 006
sales@borgandoverstrom.com