

B5

Dispense Options



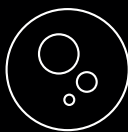
Chilled



Ambient



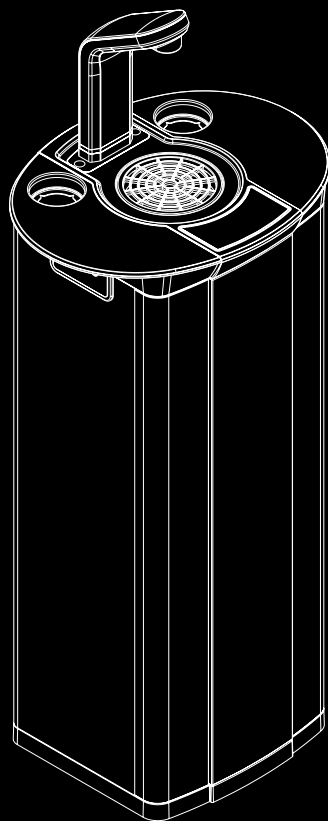
Hot



Sparkling

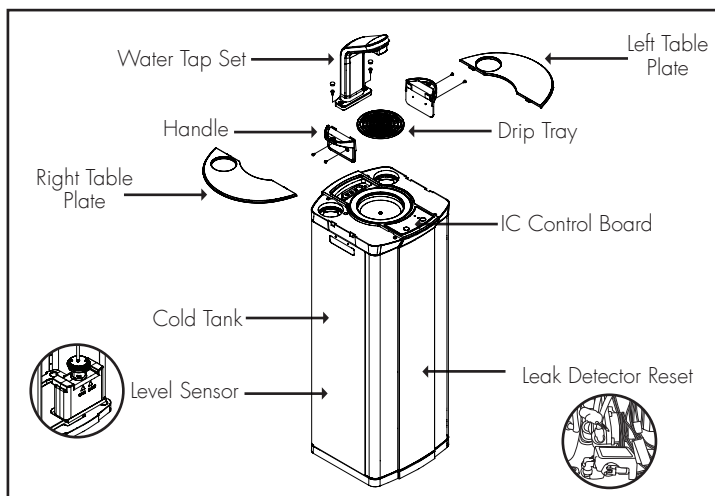
Contents

- Major Components
- Water & CO2 Connection
- CO2 Bottle Installation
- Level Sensor Assembly
- Cold Water Connection & Operation
- Functions & Controls
- General Safety
- Isolation & Removal
- Sanitisation Guide
- Leak Detection
- Emplying The Carbonation Tank
- Troubleshooting

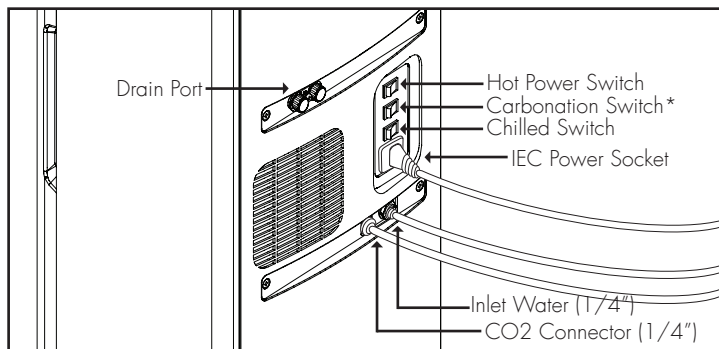


Installation

Major Components



Water & CO2 Connection



* Sparkling versions only

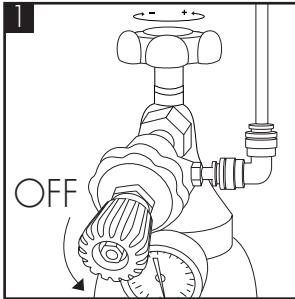
© Copyright Borg & Overström.

This manual is printed by Borg & Overström and shall not be reproduced or copied in anyway.

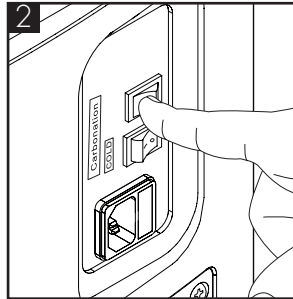
CO2 Bottle Installation (Sparkling Versions Only)



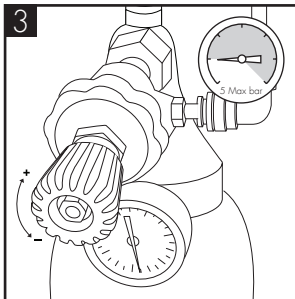
IMPORTANT! ALWAYS ENSURE SECURITY CLIPS ARE USED ON ALL WATER AND CO2 CONNECTIONS.



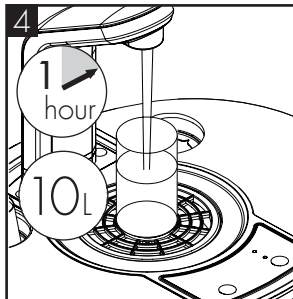
1 Attach the regulator to the disposable CO2 bottle, ensuring the regulator is closed. Connect the CO2 bottle and regulator to the machine using 1/4 inch pipe.



2 After completing the water installation, turn on the soda power switch and the pump will run. Do not open the regulator valve until the carbonated switch has been turned on.

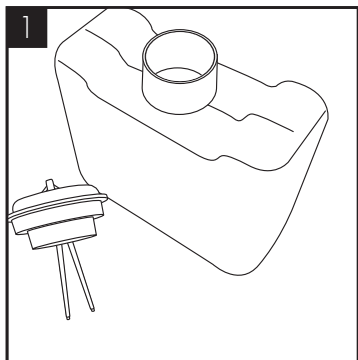


3 We recommend between 3.5 - 5 bar. Do not exceed 5 bar pressure.

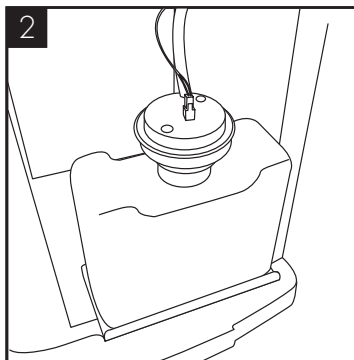


4 Flush through approximately 10 litres of water. Check and adjust the CO2 pressure accordingly. The machine needs leaving for 1 hour for sparkling water to develop.

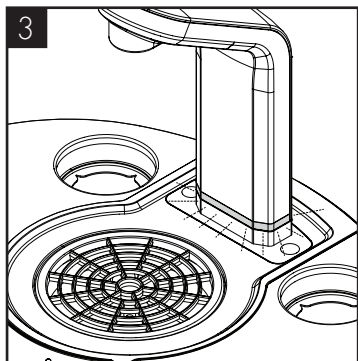
Level Sensor Assembly



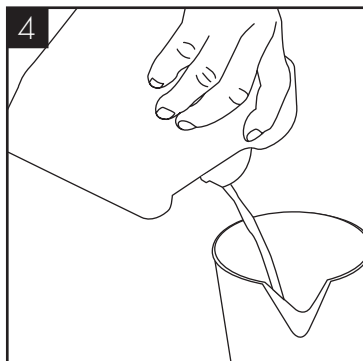
Check all parts are present.



Locate and connect the drainage tubing into the top of the level sensor connector.



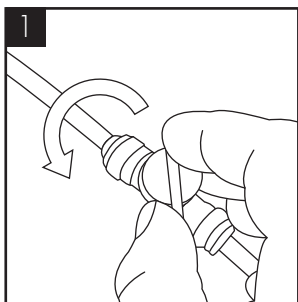
The LED lighting at the base of the faucet will flash slowly for 1 minute. This is also repeated every time a dispense button is pressed.



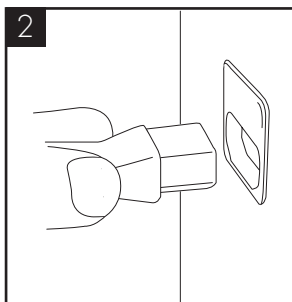
Empty the waste container to cancel.

Operation

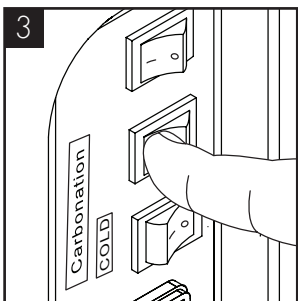
Water Connection & Operation



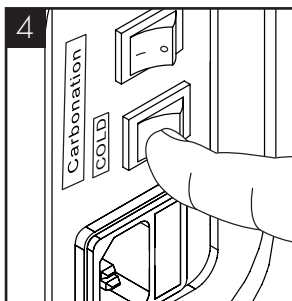
1
Connect and turn on the water supply.



2
Plug in the power supply, cold, hot & sparkling tanks will automatically fill.

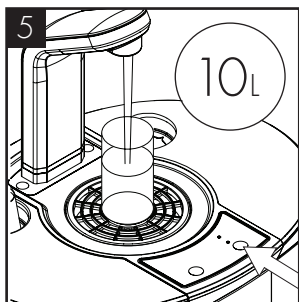


3
Activate the carbonation & hot power switch (if present).

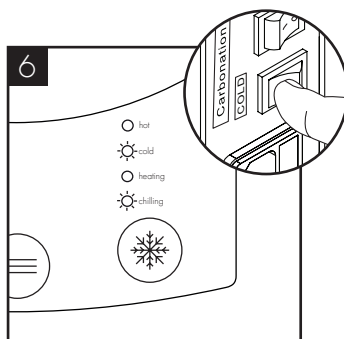


4
Activate cold power switch.

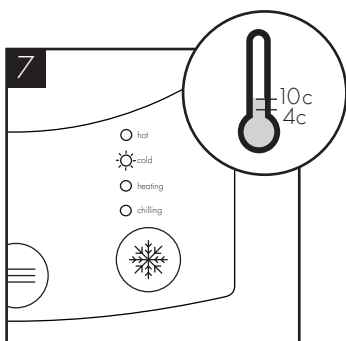
Water Connection & Operation (Continued)



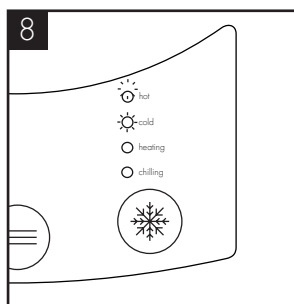
Flush through 10 litres of water before use.



When the cold water switch is turned on, the cold water and chilling LED will be on.

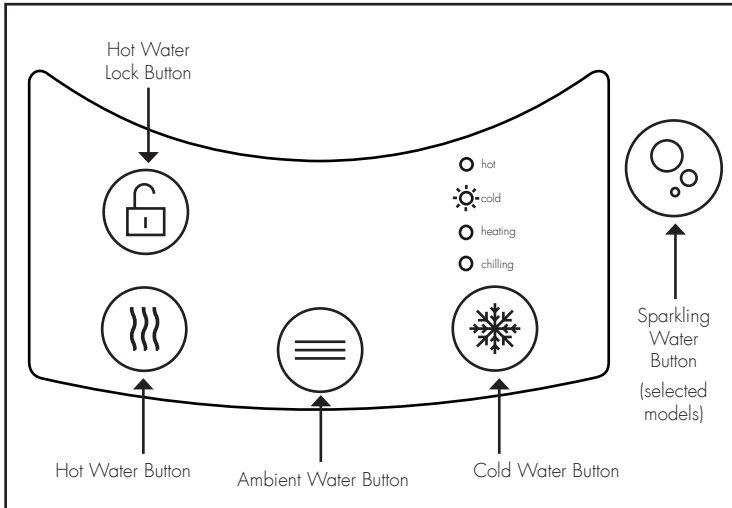


The temperature of cold water can be set from 4c to 10c. When the chilling LED is off the set temperature has been reached. This can take up to one hour.

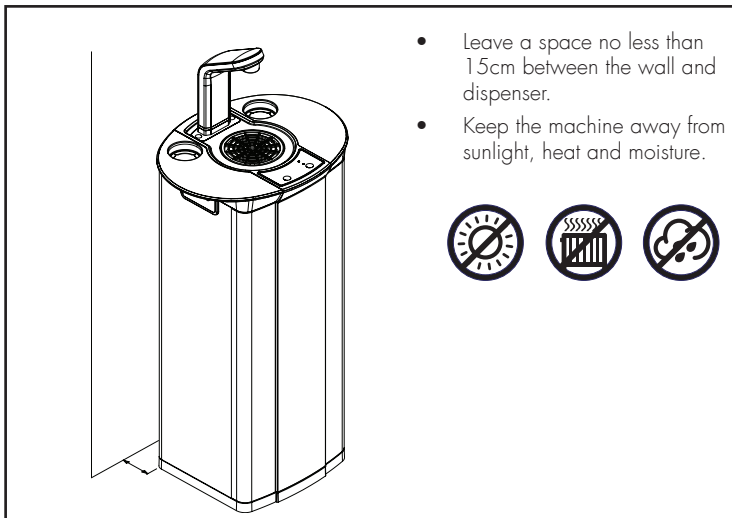


When the heating LED is off the pre-set temperature has been reached. This can take up to 30 minutes.

Functions & Controls

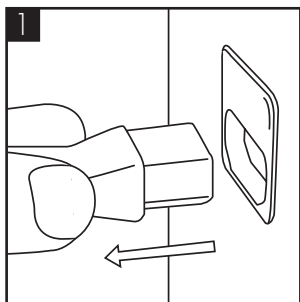


General Safety

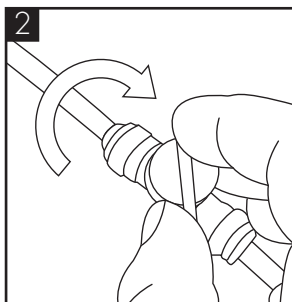


Maintenance & Cleaning

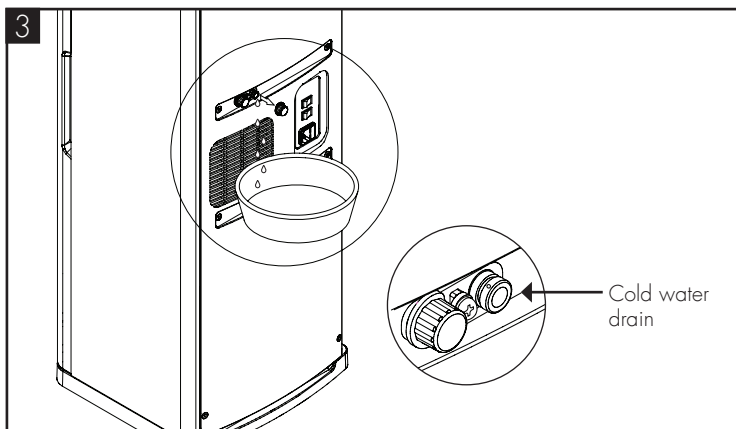
Isolation & Removal



Please make sure the machine is completely disconnected from electricity before carrying out any maintenance work.



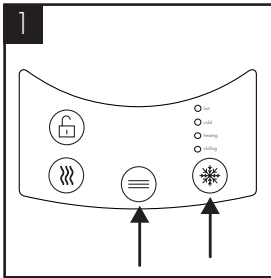
Turn off the water supply.



To drain the Direct Chill tank, remove the cap on the back of the machine. We recommend it is refitted immediately upon draining being completed.

Sanitisation Guide

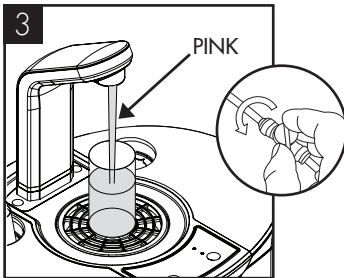
NOTE: Before beginning the sanitation process please ensure that water is turned off at the mains and refer to the MSDS document for further information. Use bioguard hand gel and ensure gloves are worn.



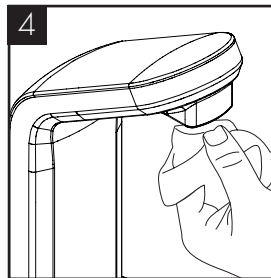
Briefly press cold/ambient dispense button to release internal water pressure from the machine. Remove the existing filter.



Add 25 ml of Bioguard Internal Sanitisation fluid to a clean and empty service filter cartridge and connect to the machine.

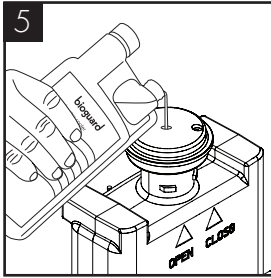


Turn on incoming water, allow service cartridge to fill. Dispense water using the cold button until the water appears pink. Briefly press the ambient button too. Repeat with sparkling button if present.

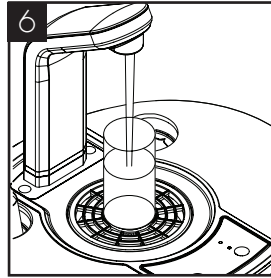


Leave the solution inside machine for sanitisation to take effect (minimum 5 minutes) while thoroughly cleaning the machine externally, pay particular attention to the dispense faucet and button controls.

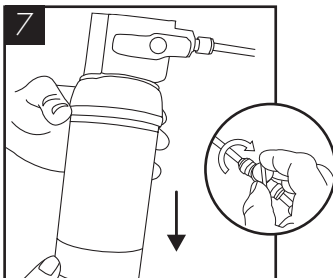
Sanitisation Guide (continued)



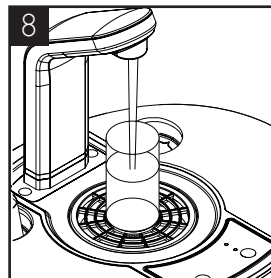
Remember to include the drip tray. Empty the Waste Overflow system and flush through with a small amount of sanitisation fluid if needed.



When the external cleaning (minimum 5 minutes) is completed, flush the machine using the cold button with clean water until the dispense water runs clear. Repeat briefly with the ambient button (and sparkling button if present).



Turn off water and remove the service filter. Retain service filter for reuse. Fit new filter. Turn on incoming water supply.

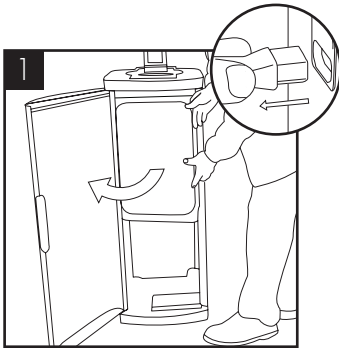


Pre-flush the new filter to waste using the ambient button until the water appears clear and is free of air. Flush through a small amount of water to check all functions.

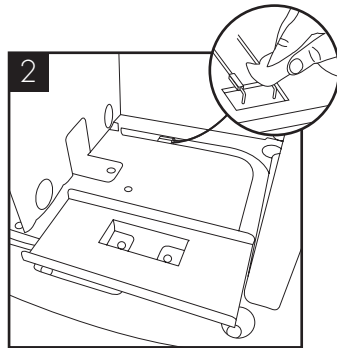
Leak Detection

NOTE: This machine is equipped with a leakage detection device. When leaking is detected, the dispense operation will be cut off automatically. This is indicated by a blue LED flashing at the base of the tap.

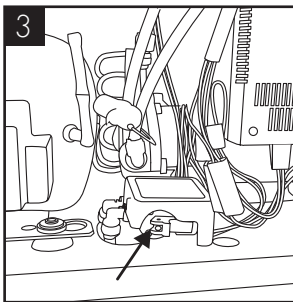
To reset:



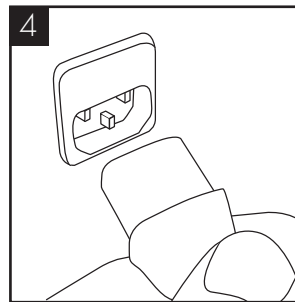
1 Unplug the machine and remove the protective cover.



2 Locate the leak and rectify. Locate the detection probe which can be found in the bottom at the rear of the machine. Dry the probes and internal area with a dry cloth.

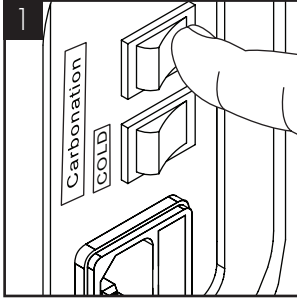


3 Locate the Leak Detector valve. Reset the lever (push it in).

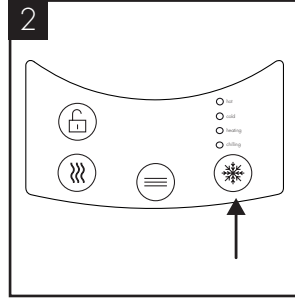


4 Reconnect the power to machine and test operation.

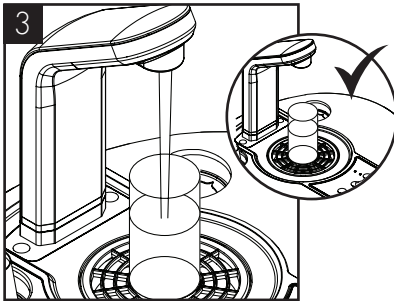
Emptying the Carbonation Tank (Sparkling versions only)



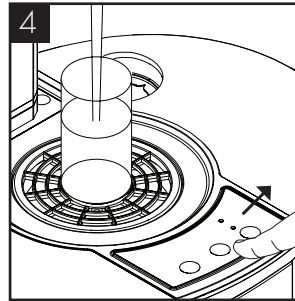
Switch off the Carbonation System switch on the back of the unit.



Press and hold the Sparkling water dispense button until all water is expelled



The tank is empty of sparkling water when only CO₂ is being released.



Ensure to release the Sparkling water button and take care to avoid releasing excess amounts of CO₂ gas.

Troubleshooting

Fault Diagnosis: Water Dispensing Issues

Problem/Report	Possible Cause	Suggested Action
No Water From Ambient Valve	Water Supply turned off.	Check all Taps/valves/ filters on incoming supply are fitted and are turned on.
	No Electricity/Power Supply.	Check power cord connected and live and machine is switched on.
No Water From Cold Valve	Firstly all as for Ambient Tap.	Carry out checks and actions as for ambient tap.
	Chiller tank frozen thermostat not working.	Thaw out and check thermostat. Replace Cold Water thermostat as needed.
	Chiller tank Frozen tank pump not working.	Thaw out and check tank pump. Replace pump and or check electricity supply to pump present.
	Leak detector has disabled dispense operation.	Check for internal leakage, ensure probes are dry and reset.
No Water From Hot Valve	If following normal usage: follow guide for 'Ambient' tap.	Carry out checks and actions as for ambient tap.
No Water From All Valves.	Button not being pressed enough.	Press button firmly.
	Control PCB not working.	Check and replace Control PCB as necessary.
No Water From Sparkling Valve.*	Low on no CO2.	Check and replace cylinder as necessary.
	Carbonation System switched off.	Switch on (Switch on back of the machine).
Cold Water not Cold.	Cooling switched off.	Check switch positions as necessary.
	Thermostat set too high.	Decrease Cold Thermostat set point.
	Thermostat not working.	Check and replace Thermostat as necessary.

* Sparkling version only

Water Dispensing Issues Continued

Problem/Report	Possible Cause	Suggested Action
Cold Water not Cold	Fan not working.	Check and replace, as required.
Hot Water not Hot	Heating cycle incomplete.	Wait for heating LED to stop showing.
	High hot water usage.	Advise user/s.
	Hot thermostat not working.	Replace thermostat.
	Over heat function active (Heating mode LED not showing while heating mode switch on.	Reset switch on overheat temperature sensor.

Fault Diagnosis: Water Leaks

Problem/Report	Possible Cause	Suggested Action
Water lying on top edge of lower door panel and/or bottom of Cabinet	Overflowing Drip Tray Waste Container.	Empty Waste Container and check drainpipe is not blocked.
Water lying in bottom of machine	Level Sensors not working.	Check operation and replace batteries if needed.
	Leak in supply inlet pipe work and/or filter.	Locate and repair accordingly.
	Leak from machine water pipe work fittings.	Locate and repair accordingly.

Fault Diagnosis: Miscellaneous

Problem/Report	Possible Cause	Suggested Action
No LED Control Lights	No electricity to Machine.	Check power supply and reconnect as necessary.
	Check Fuse in IEC Socket.	Replace if necessary.
	Control PCB not working.	Check and replace PCB as necessary.
Machine Shakes on Start-up	Compressor Starting.	No action needed. This is quite normal.
	Level Surface.	
	Uneven Surface.	Level up machine using adjustable feet.
	Missing Fixings.	Replace missing fixings.
Tripping out Electricity Supply	Machine in high humidity environment.	Reposition if possible.
Intermittent Water Dispense From Sparkling Water Valve	Trapped air in pipe work.	Hold button on to purge air out.
	Button not being pressed enough.	Press button firmly.
	Control PCB not working.	Check and replace Control PCB as necessary.
Continuous Water Dispense	Button jammed on.	Replace Control PCB and or/ button Panel as needed.
	Debris blocking hole in diaphragm washer.	Dismantle Valve and clean out.
Slow but Continuous Water Dispense From Hot Valve	Limescale build-up inside Hot Water Tank/Hot Water Pump/Hot Water Dispense Pipework.	Replace Hot Water Tank/Hot Water Pump/Hot Water Dispense Pipework, as necessary.
	Hot Water Pump not working.	Check and replace Hot Water Pump as necessary.

For full distributor
service manual visit:

www.borgandoverstrom.com/support/manuals/



Customer services:
aftersales@borgandoverstrom.com
call +44 1362 695 006

Telephone
+44 (0)1362 695 006
Email
sales@borgandoverstrom.com

borgandoverstrom.com

© Copyright Borg & Overström.
This guide is printed by Borg & Overström and
shall not be reproduced or copied in anyway.

Ref: 838028
Version: B5.UG.v250419