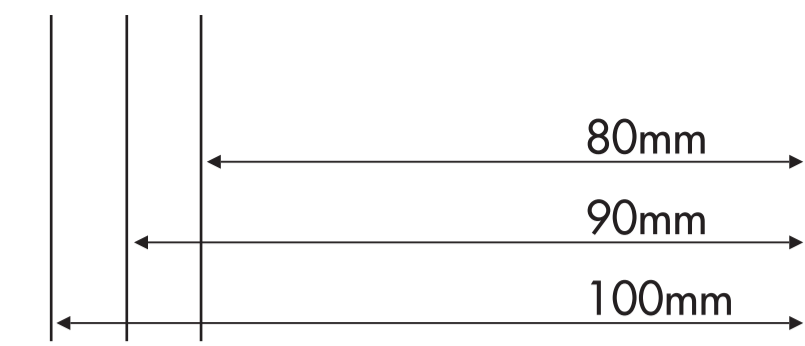
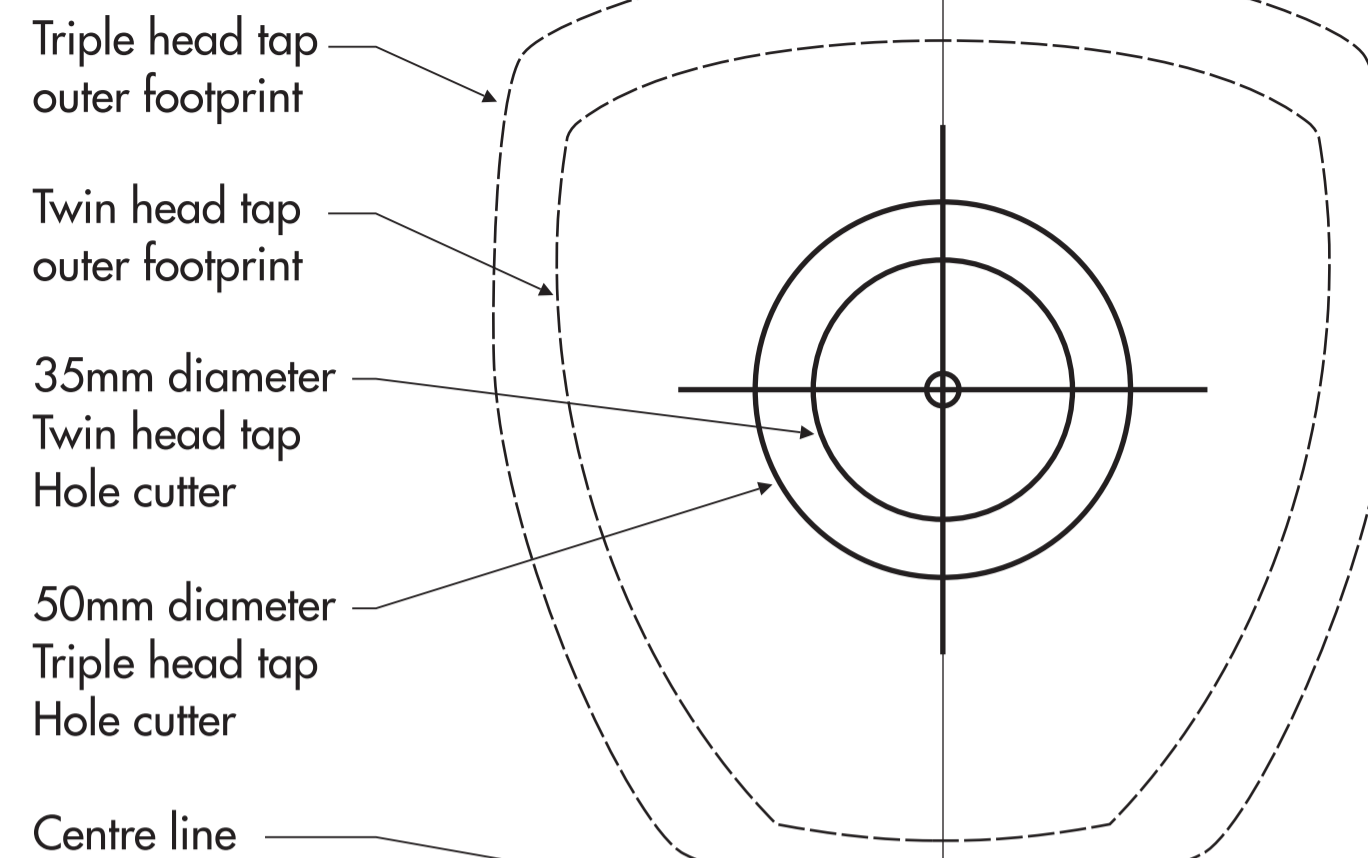


borg&overström

Large Drip tray cutting template

Reorder Number: 838039

Version Number: 21012022



Choose how far from the edge of your work surface you want to install the Drip tray, and mark this on a piece of masking tape.

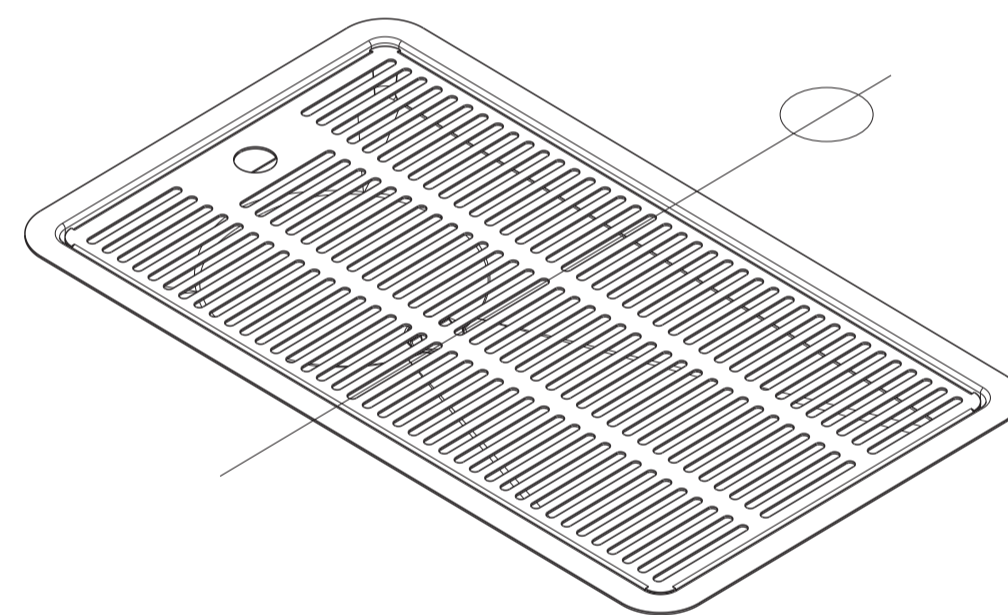
Scale - 1:1 / Page - A2



Edge of Drip tray lip

Pilot drill holes

Edge of Drip tray lip



225mm

405mm

Important: Before making any cuts or drilling into the work surface, ensure the area below is free from water pipes or electrical cables. There is risk of serious injury or death if electrical cables are cut, and significant damage to property if a water pipe is cut.

1. Decide where you would like to position the drip tray, and mark the centre and the desired distance away from the work surface edge. Align with the markings and secure the template in place with masking tape.
2. Drill the four corner holes for the drip tray using a 10mm drill bit.
3. Drill a pilot hole for the tap using a 4mm drill bit.
4. Remove the template.
5. Using a straight edge mark out the guide lines between the four holes of the drip tray.
6. Cut along the lines, and remove the waste piece of work surface.
7. Choose which size hole cutter you require (Either 35mm or 50mm). Drill the required sized hole.
8. Clean up any sawdust left behind, and make sure the surface is left clean and dry.
9. Apply bead of silicone to the underside edge of the drip tray.
10. Position the drip tray squarely into the opening, apply pressure to ensure it is well bonded, and clean away any excess silicone.
11. Place the waste spigot through the hole in the drip tray tray and apply the nut underneath making sure it is tight, and if applicable apply the yellow cap.

Mark how far from the edge of your work surface you want to install the drip tray on a piece of masking tape. Align this line with the mark.

Mark how far from the edge of your work surface you want to install the drip tray on a piece of masking tape. Align this line with the mark.

Ensure this line is parallel to front edge of the work surface.

Ensure this line is parallel to front edge of the work surface.